



PARTS CATALOGUE

EF2400iS (7CF3) AUSTRALIA



1S7CF-700E1

()

EF2400iS
PARTS CATALOGUE
©2019 by Yamaha Motor Co., Ltd.
1st edition, June 2019
All rights reserved.
Any reprinting or unauthorized use
without the written permission of
Yamaha Motor Co., Ltd.
is expressly prohibited.
Printed in Japan.

FOREWORD

This Parts Catalogue is related to the parts for the model(s) on the cover page. When you are ordering replacement parts, please refer to this Parts Catalogue and quote both part numbers and part names correctly.

1. Modifications or additions which have been made after the issue of the Parts Catalogue will be announced in the Parts News.
It is advisable that you make the necessary corrections to the Parts Catalogue according to the Parts News.

2. Abbreviations

The following abbreviations are used in this Parts Catalogue.

“UR” Use specified parts number.

“UN” Use as many as needed.

“AP” Alternate Parts

“LM” Locally Made (Parts need to be ordered locally)

“F#” Frame No. (Applicable machine No.)

“O/S” Over Size

3. The number of components for assembly

- Parts, which are to be supplied in an assembly, are listed with a dot (.) in front of the part name as shown below.
- The numeral appearing to the right of each component part indicates the quantity of parts for each assembly unit.

PART NO.	DESCRIPTION	Q'TY	REMARKS
2F5-83310-60	FRONT FLASHER LIGHT ASSY	2	
115-83311-60	.BULB (6V-18W)	1	

4. Applicable colours of graphics are represented in the “REMARKS” as shown below.

PART NO.	DESCRIPTION	Q'TY	REMARKS
2N4-24110-00-X5	FUEL TANK COMP.	2	MXR
3J1-24240-10	.GRAPHIC, FUEL TANK	1	FOR MXR

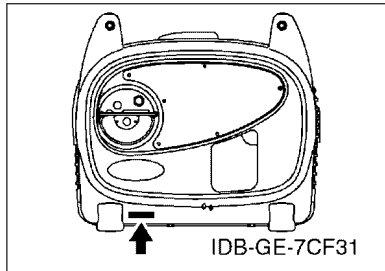
5. Note that the illustrations for reference in finding parts numbers are not to be used for assembling. When assembling, please use the applicable service manual.

6. The asterisk (*) before a reference number indicates modified items after the first edition.

FOREWORD

7. Applicable Serial No.

Frame Serial No.



8. Applicable Colour Code (The (*) mark shows Model colour.)

Abbreviation	Colour Name	Colour Code
PBS3(*)	PURPLISH BLUE SOLID 3	0714

9. Applicable Starting Serial No.

*****Serial NO.

Model	Model Code	Destination	Voltage	Serial NO.
EF2400iS	7CF3	AUSTRALIA	230V-50Hz	7CF-0340101

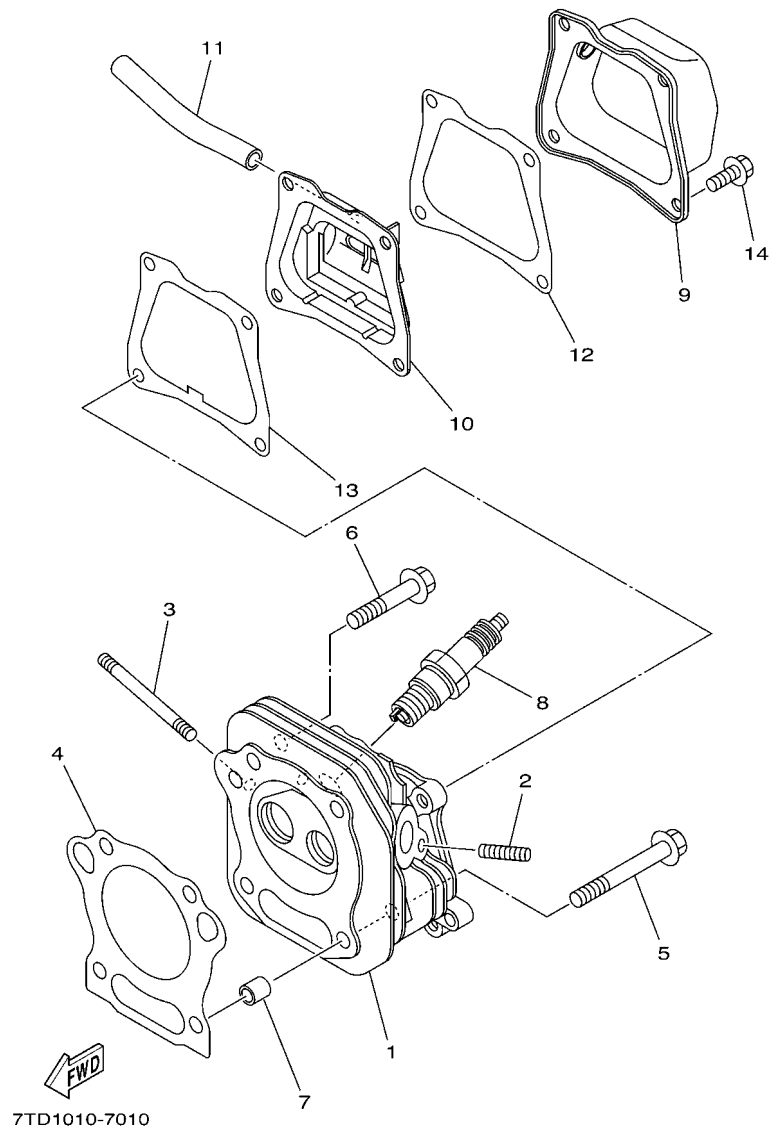
CONTENTS

CYLINDER.....	1
CRANKSHAFT & PISTON.....	2
CAMSHAFT & VALVE.....	3
AIR SHROUD & STARTER.....	4
INTAKE.....	5
CARBURETOR.....	6
EXHAUST.....	8
CRANKCASE.....	9
FRAME.....	10
FRAME 2.....	11
FRAME 3.....	12
FUEL TANK.....	13
MAGNETO.....	15
GENERATOR.....	16
CONTROL BOX.....	17
LABELS.....	19

INDEX

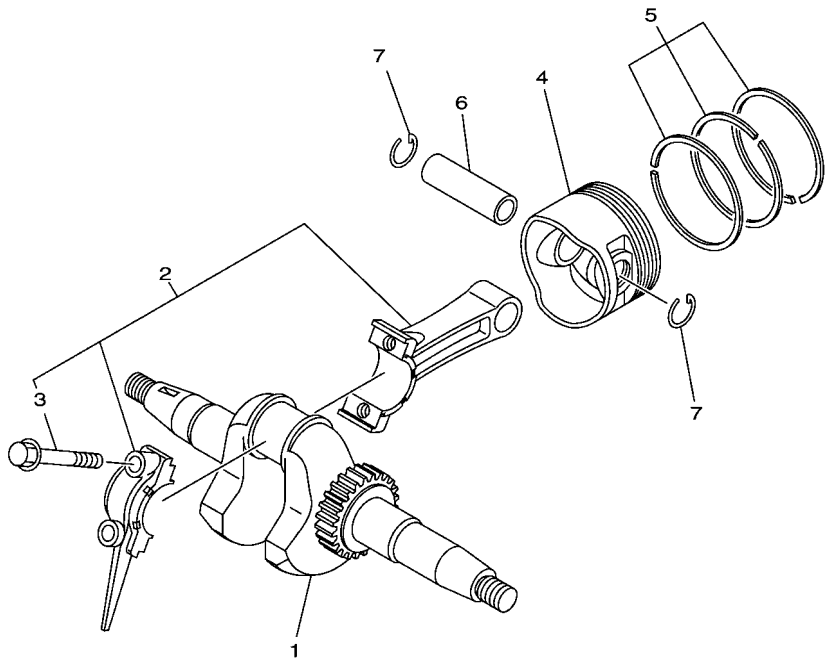
NUMERICAL INDEX.....	20
----------------------	----

FIG. 1 CYLINDER



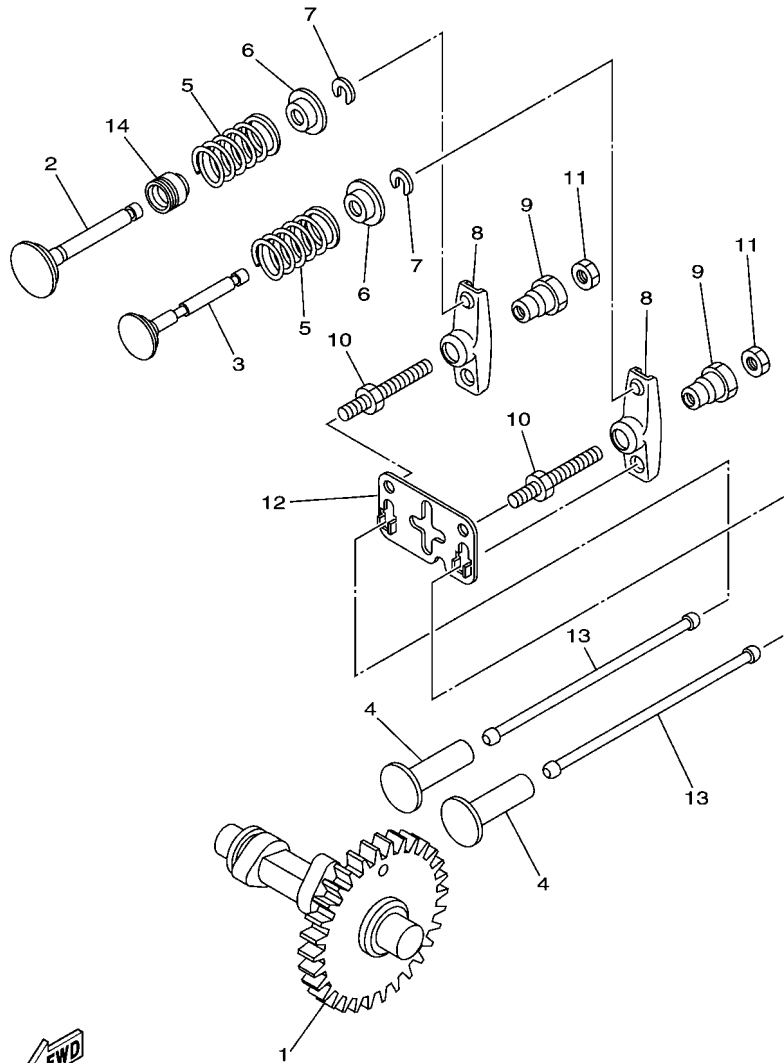
REF. NO.	PART NO.	DESCRIPTION	7CFS				REMARKS
1	7CN-E1111-01	HEAD, CYLINDER 1	1				
2	95602-06615	BOLT, STUD	2				
3	90116-06807	BOLT, STUD	2				
4	7CN-E1181-01	GASKET, CYLINDER HEAD 1	1				
5	95822-08065	BOLT, FLANGE	2				
6	95822-08045	BOLT, FLANGE	2				
7	99530-10114	PIN, DOWEL	2				
8	94702-00331	PLUG, SPARK (NGK BPR4ES)	1				
9	7CN-E1191-00	COVER, CYLINDER HEAD 1	1				
10	7CN-E1160-00	BREATHER ASSY	1				
11	90445-13800	HOSE	1				
12	7CN-E1169-02	GASKET, BREATHER COVER	1				
13	7CN-E1193-00	GASKET, HEAD COVER 1	1				
14	95822-06012	BOLT, FLANGE	4				

FIG. 2 CRANKSHAFT & PISTON




7CFE171-L020

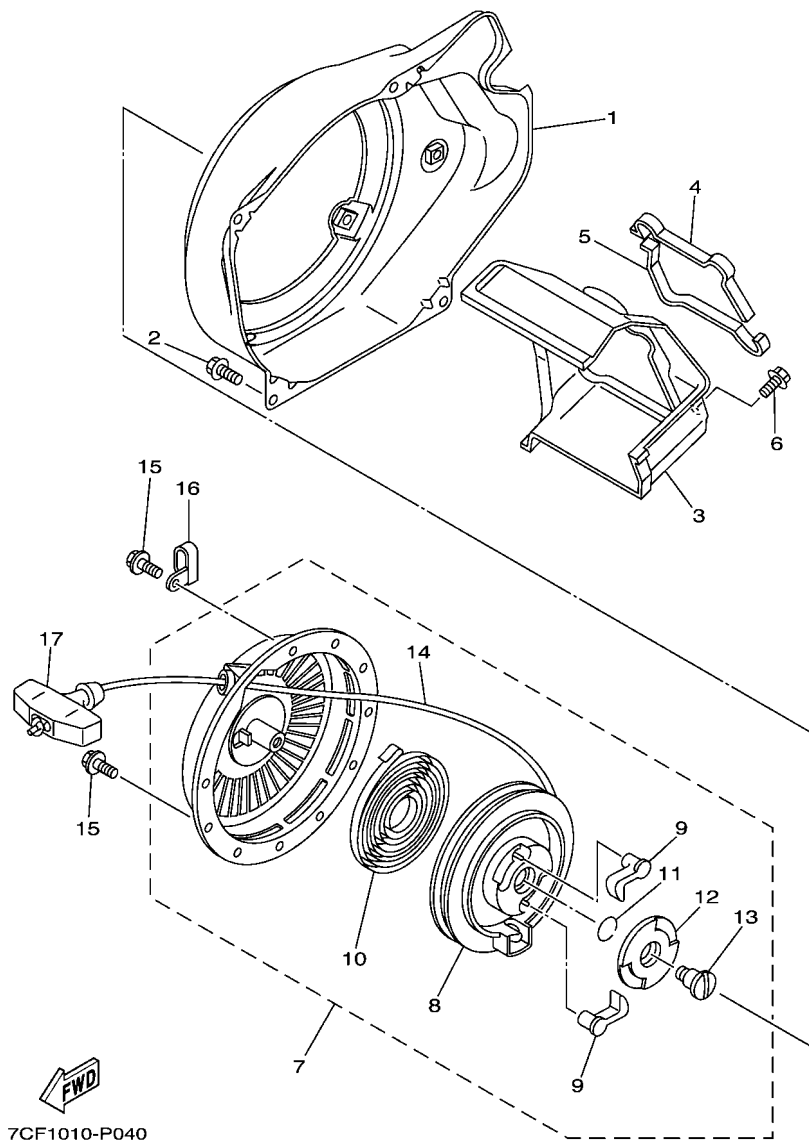
REF. NO.	PART NO.	DESCRIPTION	7CF3				REMARKS
1	7CN-E1400-A0	CRANKSHAFT ASSY	1				
2	7CN-E1650-11	CONNECTING ROD ASSY	1				
3	7CN-E1654-00	.BOLT, CONNECTING ROD	2				
4	7CN-E1631-10-A0	PISTON (STD)	1				
	7CN-E1635-00	PISTON (0.25MM O/S)	1				AP
	7CN-E1636-00	PISTON (0.50MM O/S)	1				AP
5	7CN-E1610-00	PISTON RING SET (STD)	1				
	7CN-E1610-10	PISTON RING SET (0.25MM O/S)	1				AP
	7CN-E1610-20	PISTON RING SET (0.50MM O/S)	1				AP
6	7CN-E1633-00	PIN, PISTON	1				
7	93450-17828	CIRCLIP	2				




 7VUG110-K030

FIG. 3 CAMSHAFT & VALVE

REF. NO.	PART NO.	DESCRIPTION	7CFS				REMARKS
1	7CN-E2170-00	CAMSHAFT ASSY 1	1				
2	7CN-E2111-00	VALVE, INTAKE	1				
3	7CN-E2121-00	VALVE, EXHAUST	1				
4	7CN-E2153-00	LIFTER, VALVE	2				
5	90501-20800	SPRING, COMPRESSION	2				
6	7CN-E2117-00	RETAINER, VALVE SPRING	2				
7	7CN-E2118-00	LOCK, VALVE SPRING RETAINER	2				
8	7CN-E2151-00	ARM, VALVE ROCKER	2				
9	7CN-E2165-00	PIVOT, ROCKER ARM	2				
10	7CN-E2157-01	BOLT	2				
11	7CN-E2158-01	NUT, LOCK	2				
12	7CN-E2155-01	GUIDE, PUSH ROD	1				
13	7CN-E2154-00	ROD, VALVE PUSH	2				
14	7DH-E2119-01	SEAL, VALVE STEM	1				

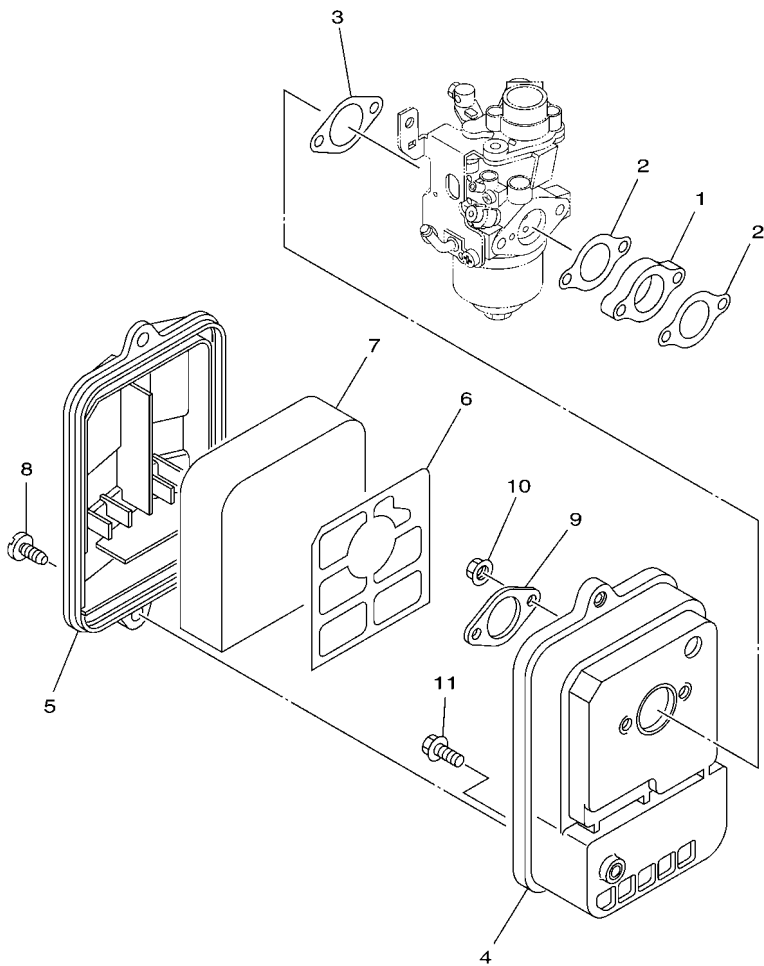


7CF1010-P040

FIG. 4 AIR SHROUD & STARTER

REF. NO.	PART NO.	DESCRIPTION	7CF3				REMARKS
1	7CN-E2610-21	FAN CASE ASSY	1				
2	95802-06012	BOLT, FLANGE	4				
3	7CN-E2651-01	AIR SHROUD, CYLINDER 1	1				
4	7CP-E2658-00	DAMPER, AIR SHROUD 1	1				
5	7CP-E2659-00	DAMPER, AIR SHROUD 2	1				
6	95822-06012	BOLT, FLANGE	1				
7	7CP-E5710-02	STARTER ASSY	1				
8	7CN-E5714-03	.DRUM, SHEAVE	1				
9	7CN-E5741-01	.PAWL, DRIVE	2				
10	7CN-E5713-00	.SPRING, STARTER	1				
11	7CN-E5715-00	.SPRING, FRICTION	1				
12	7CN-E5716-01	.PLATE, DRIVE	1				
13	7CN-E5793-00	.SCREW	1				
14	7CP-E5751-00	.WIRE, STARTER	1				
15	95802-06016	BOLT, FLANGE	3				
16	7CN-F627E-00	CLAMP, WIRE	1				
17	7TD-15755-01	HANDLE, STARTER	1				

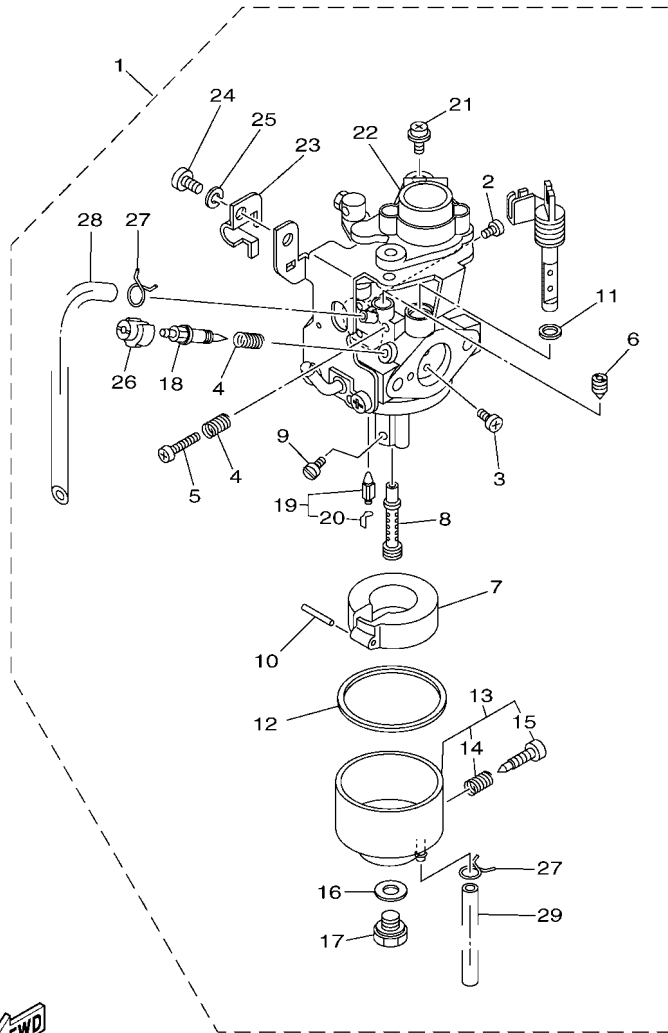
FIG. 5 INTAKE



 7CF1010-D050

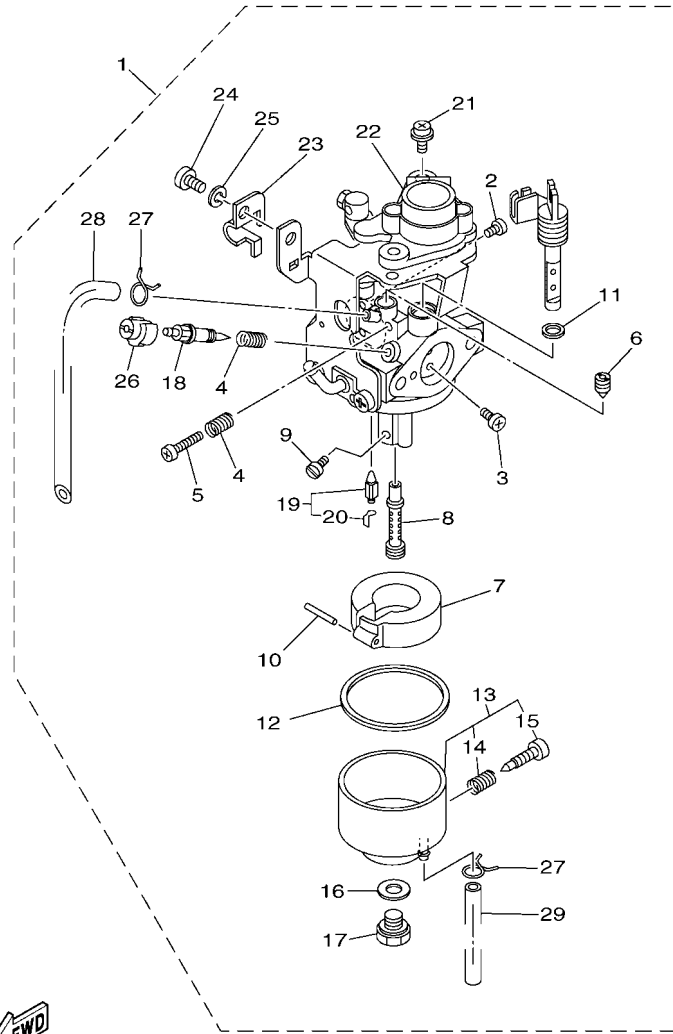
REF. NO.	PART NO.	DESCRIPTION	7CF3				REMARKS
1	7CN-E3596-00	JOINT, CARBURETOR 2	1				
2	7CN-E3557-01	GASKET	2				
3	7CN-E3567-01	GASKET	1				
4	7CN-E4411-00	CASE, AIR CLEANER 1	1				
5	7CN-E4412-00	CAP, CLEANER CASE 1	1				
6	7CN-E4468-01	PLATE,ELEMENT FITTING	1				
7	7CN-E4451-00	ELEMENT, AIR CLEANER	1				
8	90154-06823	SCREW, BINDING	2				
9	7CN-E4477-00	PLATE	1				
10	95702-06500	NUT, FLANGE	2				
11	95802-06016	BOLT, FLANGE	1				

FIG. 6 CARBURETOR



7CF3700-S060

REF. NO.	PART NO.	DESCRIPTION	7CF3				REMARKS
1	7CF-E4101-03	CARBURETOR ASSY 1	1				
2	7RH-14216-00	.SCREW	2				
3	7RH-14486-00	.SCREW, ROD	2				
4	73A-14212-00	.SPRING	2				
5	1WG-14922-00	.SCREW, THROTTLE	1				
6	620-14142-35-A0	.JET, PILOT (#35)	1				
7	7LG-14185-00	.FLOAT	1				
8	7NN-1495F-1B	.NOZZLE, MAIN	1				
9	1HX-1423E-34-A0	.JET, MAIN(#86.3)	1				
10	22F-14186-00	.PIN, FLOAT	1				
11	7X9-14239-00	.SEAL	1				
12	7CN-E4997-00	.SEAL	1				
13	7TD-14181-00	.BODY, FLOAT CHAMBER 1	1				
14	73A-14212-00	.SPRING	1				
15	7E1-14191-00	.PLUG, DRAIN	1				
16	7G0-14227-00	.WASHER	1				
17	7TD-14162-00	.BOLT, HOLDING	1				
18	7NJ-14211-00	.SCREW, PILOT ADJUSTING	1				
19	7LG-14150-11	.NEEDLE ASSY	1				
20	7EG-14159-00	.CLIP	1				
21	4SV-24453-00	.SCREW	2				
22	7CF-81802-09	.MOTOR UNIT ASSY.	1				
23	J45-14243-00	.PLATE	1				
24	98502-05008	.SCREW, PAN HEAD	4				
25	92902-05100	.WASHER, SPRING	1				
26	7LV-14118-00	.CAP	1				
27	22F-14139-00	.CLIP, PIPE	2				



FWD
7CF3700-S060

FIG. 6 CARBURETOR

REF. NO.	PART NO.	DESCRIPTION	7CF3				REMARKS
28	7CF-14197-00	.PIPE	1				
29	7CP-E4196-00	.PIPE, OVER FLOW 1	1				

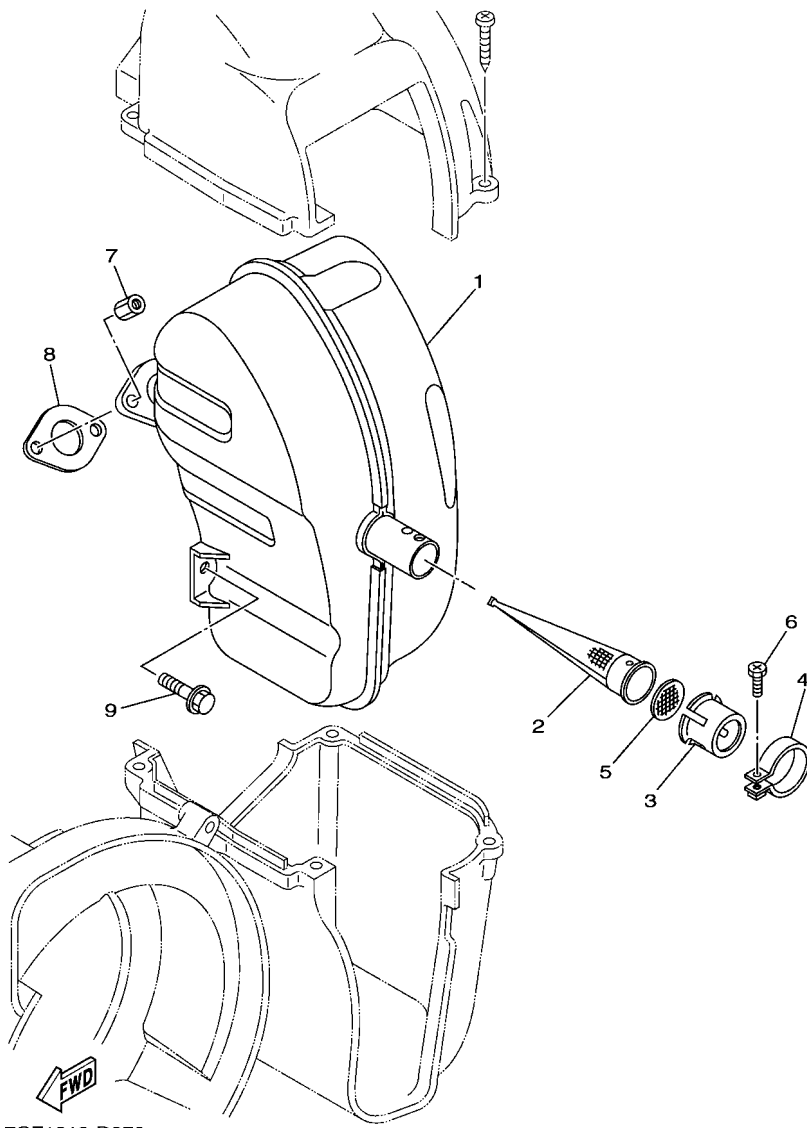
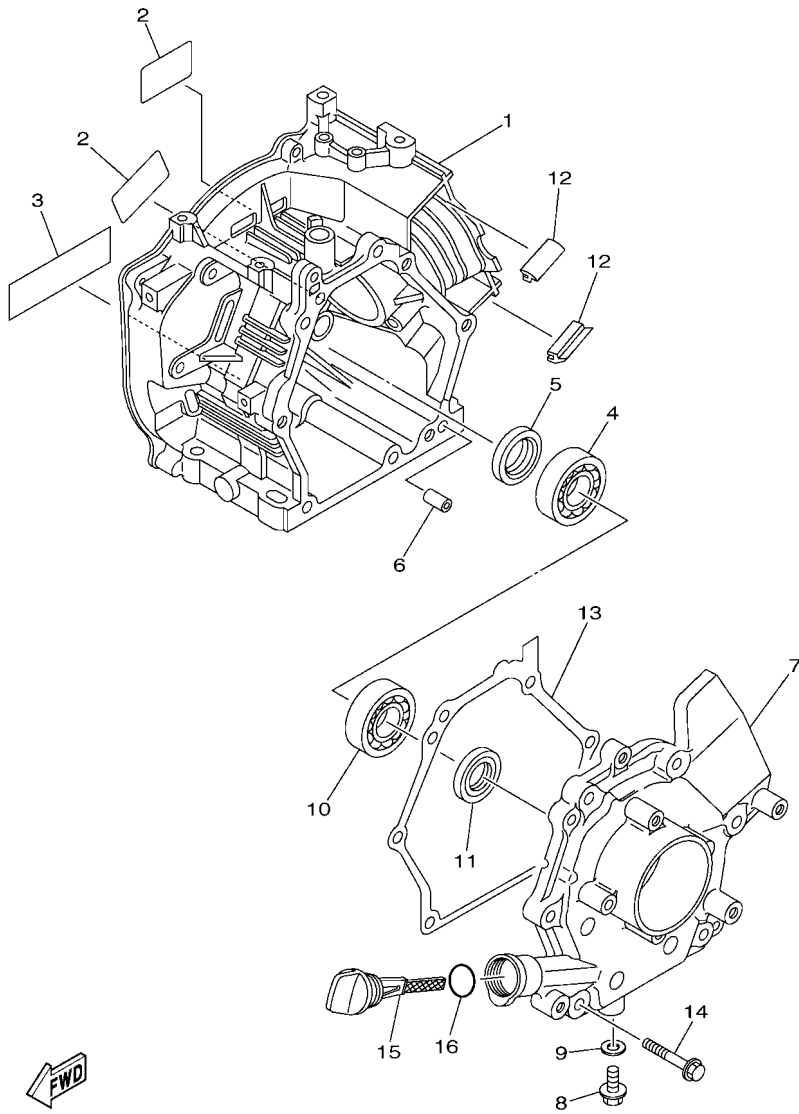


FIG. 7 EXHAUST

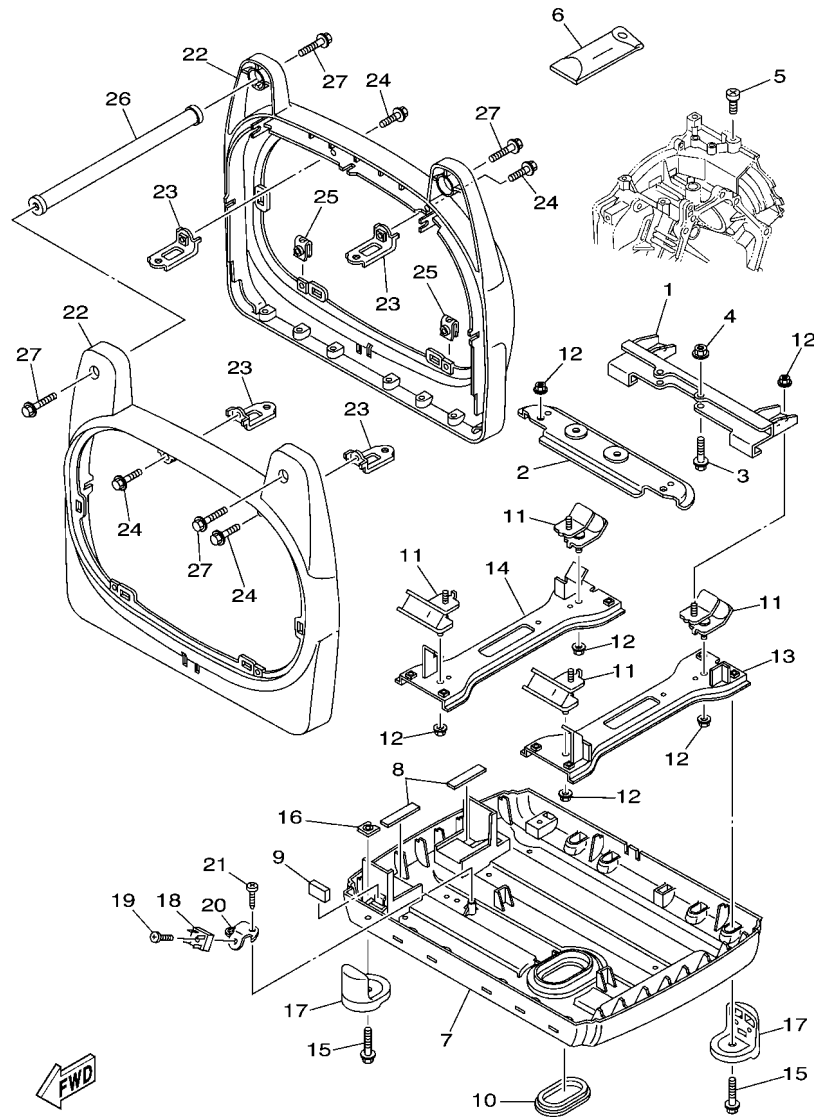
REF. NO.	PART NO.	DESCRIPTION	7CF3				REMARKS
1	7CF-14711-00	MUFFLER 1	1				
2	7LL-14786-00	ARRESTER, SPARK	1				
3	7NJ-14799-01	CAP	1				
4	7NJ-14788-00	BAND, SILENCER	1				
5	7NJ-1479E-00	NET, WIRE 2	1				
6	90153-05024	SCREW, HEXAGON	1				
7	90170-06424	NUT	2				
8	JA9-14613-00	GASKET, EXHAUST PIPE	1				
9	95822-06012	BOLT, FLANGE	1				



7CF3300-D081

FIG. 8 CRANKCASE

REF. NO.	PART NO.	DESCRIPTION	7CF3				REMARKS
1	7CN-E5111-60	CRANKCASE 1	1				
2	7CP-E5315-00	SEAL, CRANKCASE	2				
3	7CN-E5472-00	SEAL, AIR DUCT	1				
4	93306-205XE	BEARING	1				
5	93102-25806	OIL SEAL	1				
6	99530-08016	PIN, DOWEL	2				
7	7CN-E5421-80	COVER, CRANKCASE 2	1				
8	95022-10016	BOLT, FLANGE	1				
9	90430-10801	GASKET	1				
10	93306-255Y3	BEARING	1				
11	93102-25806	OIL SEAL	1				
12	7CP-E5494-00	SEAL, PROTECTOR	2				
13	7CN-E5451-01	GASKET, CRANKCASE COVER 1	1				
14	95822-08035	BOLT, FLANGE	6				
15	7CN-E5362-20	PLUG, OIL LEVEL	1				
16	93210-22805	O-RING	1				



7CFD110-F090

FIG. 9 FRAME

REF. NO.	PART NO.	DESCRIPTION	7CF3				REMARKS
1	7CF-21411-01	BRACKET, ENGINE 1	1				
2	7CF-21419-00	BRACKET, ENGINE 2	1				
3	95802-08035	BOLT, FLANGE	4				
4	95702-08500	NUT, FLANGE	4				
5	98502-08012	SCREW, PAN HEAD	1				
6	7TA-28100-00	TOOL KIT	1				
7	7CF-22881-01	BASE, MOUNTING	1				
8	7CF-2283L-00	GUIDE 1	2				
9	7CF-22869-00	MOLE	1				
10	7WL-22857-00	COVER 4	1				
11	7VU-22894-00	INSULATOR, MOUNTING 2	4				
12	95702-08500	NUT, FLANGE	8				
13	7CF-11011-02	BRACKET, ENGINE 1	1				
14	7CF-11012-02	BRACKET, ENGINE 2	1				
15	95802-06030	BOLT, FLANGE	10				
16	90183-060A3	NUT, SPRING	2				
17	7CF-22895-10	INSULATOR, MOUNTING	4				
18	7VU-87105-00	RECTIFIER ASSY 1	1				
19	98502-05014	SCREW, PAN HEAD	1				
20	7CF-8711E-01	STAY, RECTIFIER	1				
21	97702-50014	SCREW, TAPPING	1				
22	7CF-22811-00	FRAME 1	2				
23	7CF-24191-01	BRACKET, FUEL TANK 1	4				
24	95802-06012	BOLT, FLANGE	4				
25	90183-05076	NUT, SPRING	6				
26	7CF-22837-00	GRIP	2				
27	95022-08016	BOLT, FLANGE	4				

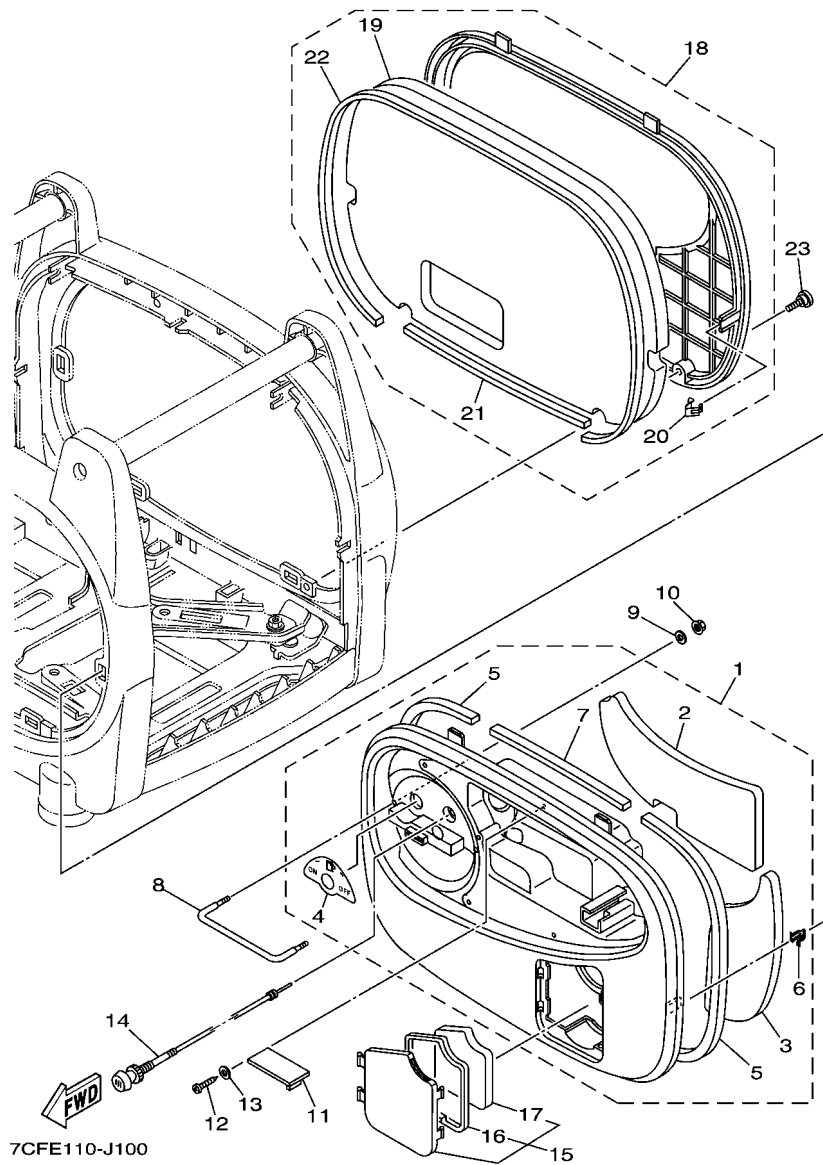
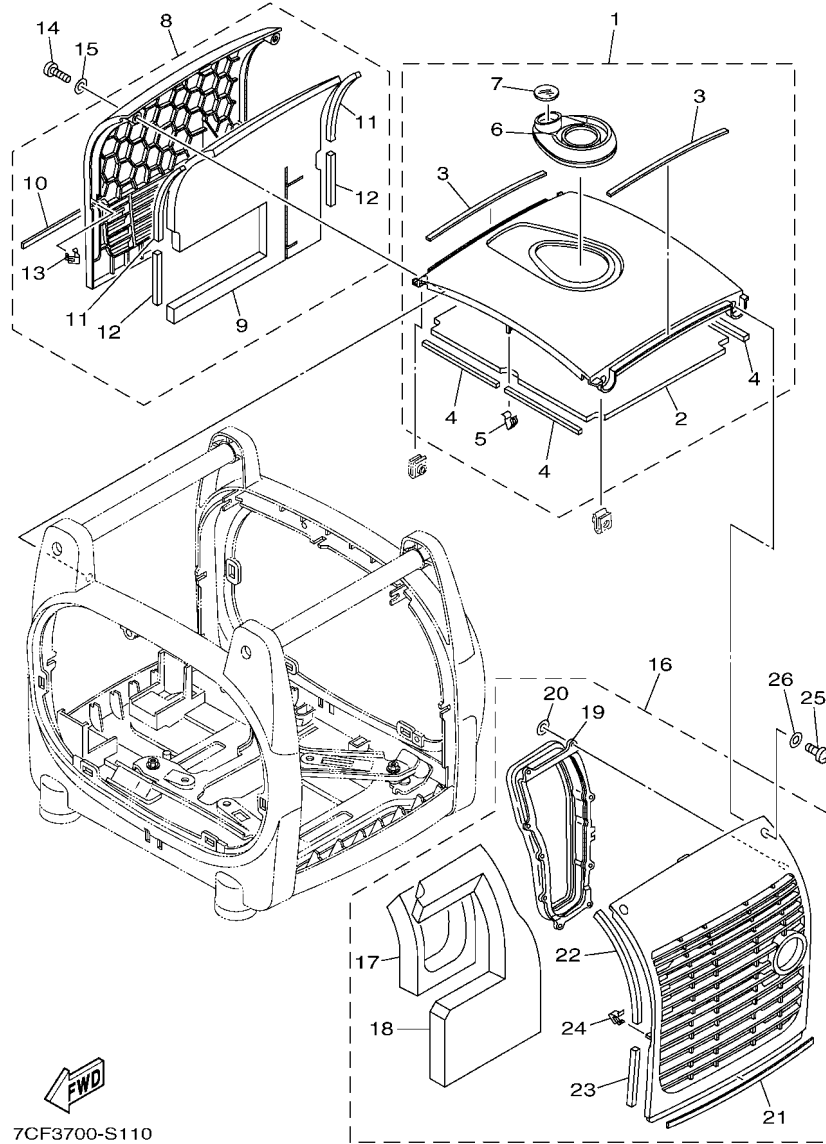


FIG. 10 FRAME 2

REF. NO.	PART NO.	DESCRIPTION	7CF3				REMARKS
1	7CF-228A0-01	COVER ASSY 1	1				
2	7CF-22873-00	.SEAL 1	1				
3	7CF-22899-00	.SEAL 15	1				
4	7CF-24151-00	.INDICATOR, FUEL	1				
5	7CF-2281H-00	.SEAL, RUBBER 5	2				
6	90468-04001	.CLIP	4				
7	7CF-2281J-00	.SEAL, RUBBER 6	1				
8	7CF-22825-00	PROTECTOR 1	1				
9	92902-04200	WASHER, PLAIN	2				
10	95702-04500	NUT, FLANGE	2				
11	7CF-85680-C0	SPEED LIMITER ASSY	1				
12	97702-30512	SCREW, TAPPING	1				
13	90201-03013	WASHER, PLATE	1				
14	7CF-26331-00	CABLE, STARTER 1	1				
15	7CF-228F0-00	COVER ASSY 6	1				
16	7CF-22897-00	.SEAL 14	1				
17	7CF-2281A-00	.SEAL, RUBBER 1	1				
18	7CF-228B0-00	COVER ASSY 2	1				
19	7CF-22874-00	.SEAL 2	1				
20	90468-04001	.CLIP	2				
21	7CF-2281E-00	.SEAL, RUBBER 2	1				
22	7CF-2281F-00	.SEAL, RUBBER 3	1				
23	7CF-23119-00	SCREW	2				

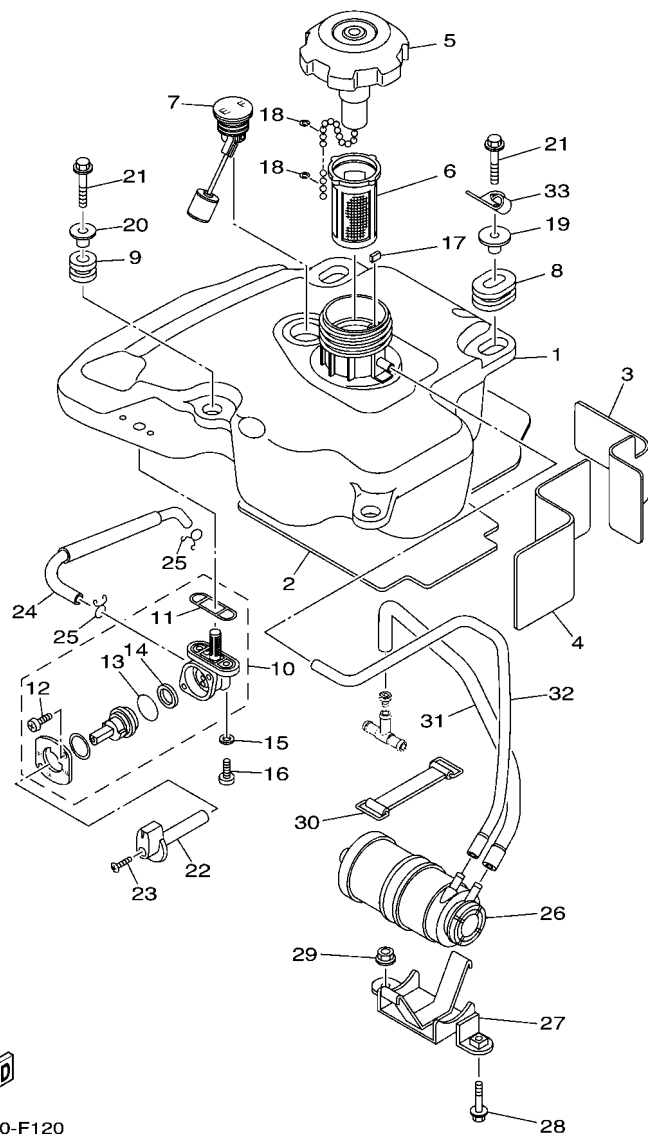


7CF3700-S110

FIG. 11 FRAME 3

REF. NO.	PART NO.	DESCRIPTION	7CF3				REMARKS
1	7CF-228C0-10	COVER ASSY 3	1				
2	7CF-22875-10	.SEAL 3	1				
3	7CF-22876-00	.SEAL 4	2				
4	7CF-23384-00	.COVER, DUST SEAL 2	4				
5	90468-04001	.CLIP	2				
6	7CF-2414G-10	.SEAL	1				
7	7WL-21764-00	.LENS, LEVEL GAUGE	1				
8	7CF-228D0-01	COVER ASSY 4	1				
9	7CF-22877-00	.SEAL, 5	1				
10	7CF-2281G-00	.SEAL, RUBBER 4	1				
11	7CF-2338G-00	.COVER, SEAL 3	2				
12	7CF-2338H-00	.COVER, SEAL 4	2				
13	90468-04001	.CLIP	2				
14	98502-05016	SCREW,PAN HEAD	2				
15	92902-05600	WASHER, PLATE	2				
16	7CF-228E0-01	COVER ASSY 5	1				
17	7CF-22878-00	.SEAL 6	1				
18	7CF-22879-00	.SEAL, 7	1				
19	7CF-2286A-00	.DUCT 1	1				
20	90183-05004	.NUT, SPRING	7				
21	7CF-2281G-00	.SEAL, RUBBER 4	1				
22	7CF-2338G-00	.COVER, SEAL 3	2				
23	7CF-2338H-00	.COVER, SEAL 4	2				
24	90468-04001	.CLIP	2				
25	98502-05016	SCREW,PAN HEAD	2				
26	92902-05600	WASHER, PLATE	2				

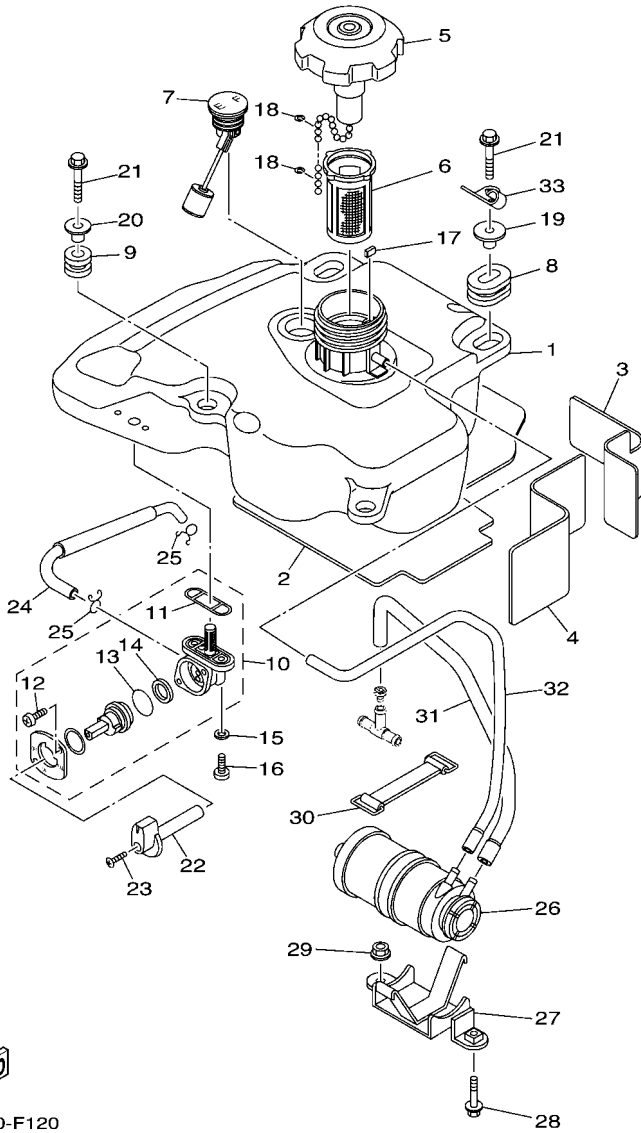
FIG. 12 FUEL TANK



FWD
7CFD110-F120

REF. NO.	PART NO.	DESCRIPTION	7CF3				REMARKS
1	7CF-24110-11	FUEL TANK COMP.	1				
2	7CF-24141-00	PROTECTOR, FUEL TANK	1				
3	7CF-24129-00	COVER, SIDE 1	1				
4	7CF-24139-00	COVER, SIDE 2	1				
5	7CF-24610-10	CAP ASSY	1				
6	7VV-24167-00	STRAINER	1				
7	7CF-85710-C1	FUEL LEVEL GAUGE ASSY	1				
8	90480-01400	GROMMET	2				
9	90480-18290	GROMMET	2				
10	7CF-24500-01	FUEL COCK ASSY 1	1				
11	7CF-24512-01	.GASKET	1				
12	98502-03008	.SCREW, PAN HEAD	2				
13	3AJ-24534-01	.SEAL, COCK	1				
14	3AC-24523-00	.VALVE PACKING	1				
15	90202-05193	WASHER, PLATE	2				
16	90149-06011	SCREW	2				
17	7CF-2312G-00	PLUG, HOLE	1				
18	6H1-21757-00	WASHER, SPECIAL 1	2				
19	90387-075H4	COLLAR	2				
20	90387-066J1	COLLAR	2				
21	95802-06030	BOLT, FLANGE	4				
22	7CF-24524-10	LEVER, COCK	1				
23	98702-04020	SCREW, FLAT HEAD	1				
24	7CF-24311-20	PIPE, FUEL 1	1				
25	90467-09006	CLIP	2				
26	7CF-24170-00	CANISTER ASSY	1				
27	7CF-24190-01	CANISTER HOLDER ASSY	1				

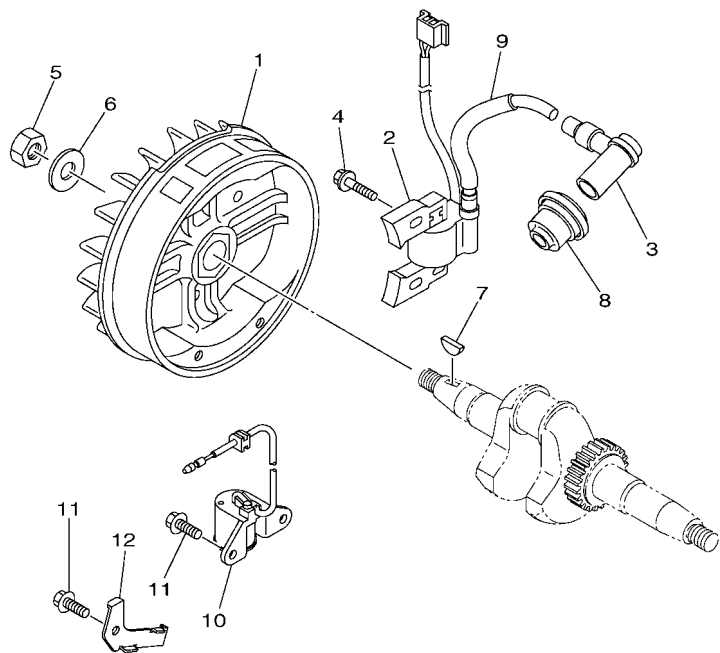
FIG. 12 FUEL TANK



FWD
7CFD110-F120

REF. NO.	PART NO.	DESCRIPTION	7CF3				REMARKS
28	95802-06030	BOLT, FLANGE	1				
29	95702-06500	NUT, FLANGE	1				
30	7CF-24398-00	BAND 1	1				
31	7CF-24312-01	PIPE 2	1				
32	7CF-24313-01	PIPE 3	1				
33	7CF-24135-00	CLAMP 1	1				

FIG. 13 MAGNETO



REF. NO.	PART NO.	DESCRIPTION	7CF3				REMARKS
1	7CF-H5650-00	ROTOR ASSY	1				
2	7CF-H5640-01	T.C.I. UNIT ASSY	1				
3	7CN-H2370-00	PLUG CAP ASSY	1				
4	95822-06020	BOLT, FLANGE	2				
5	90170-14800	NUT	1				
6	92902-14200	WASHER	1				
7	90280-04801	KEY, WOODRUFF	1				
8	7CP-H2372-00	SEAL, PLUG CAP	1				
9	7CP-H2373-00	SEAL, HIGH TENSION CORD	1				
10	7CN-H5720-00	OIL LEVEL GAUGE ASSY	1				
11	95822-06012	BOLT, FLANGE	3				
12	7CN-H5724-00	CLAMP	1				

 7CF3700-S130

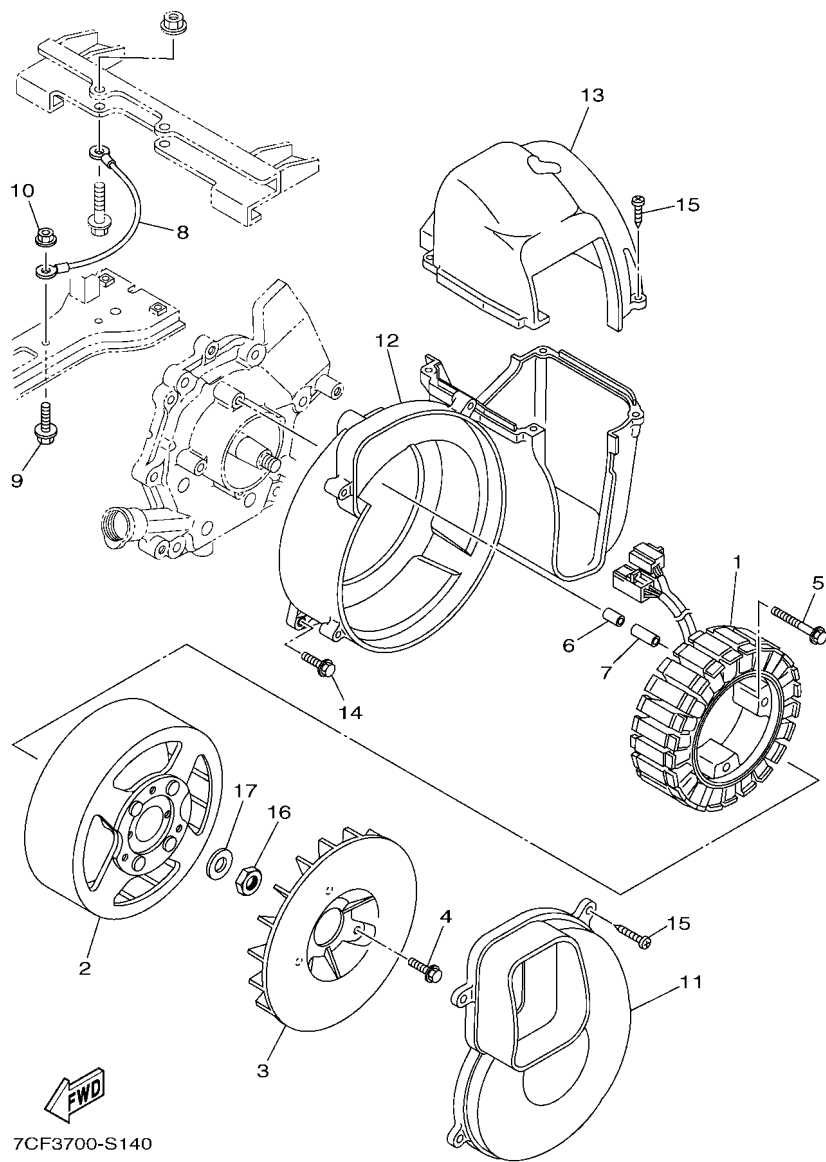


FIG. 14 GENERATOR

REF. NO.	PART NO.	DESCRIPTION	7CF3				REMARKS
1	7CF-87150-21	STATOR ASSY	1				
2	7CF-87160-00	ROTOR ASSY	1				
3	7WL-87172-00	FAN, GENERATOR	1				
4	95802-06016	BOLT, FLANGE	3				
5	95822-06045	BOLT, FLANGE	4				
6	99530-08012	PIN, DOWEL	2				
7	7VU-8719F-01	TUBE 7	2				
8	7VU-87139-00	LEAD WIRE ASSY 2	1				
9	95802-06010	BOLT, FLANGE	1				
10	95702-06500	NUT, FLANGE	1				
11	7CF-87174-00	COVER, REAR END	1				
12	7CF-14627-01	COVER, EXHAUST ASSY. 1	1				
13	7CF-14637-00	EXHAUST COVER ASS'Y	1				
14	95812-06020	BOLT, FLANGE	3				
15	97702-50516	SCREW, TAPPING	8				
16	90170-14403	NUT	1				
17	92902-14200	WASHER	1				

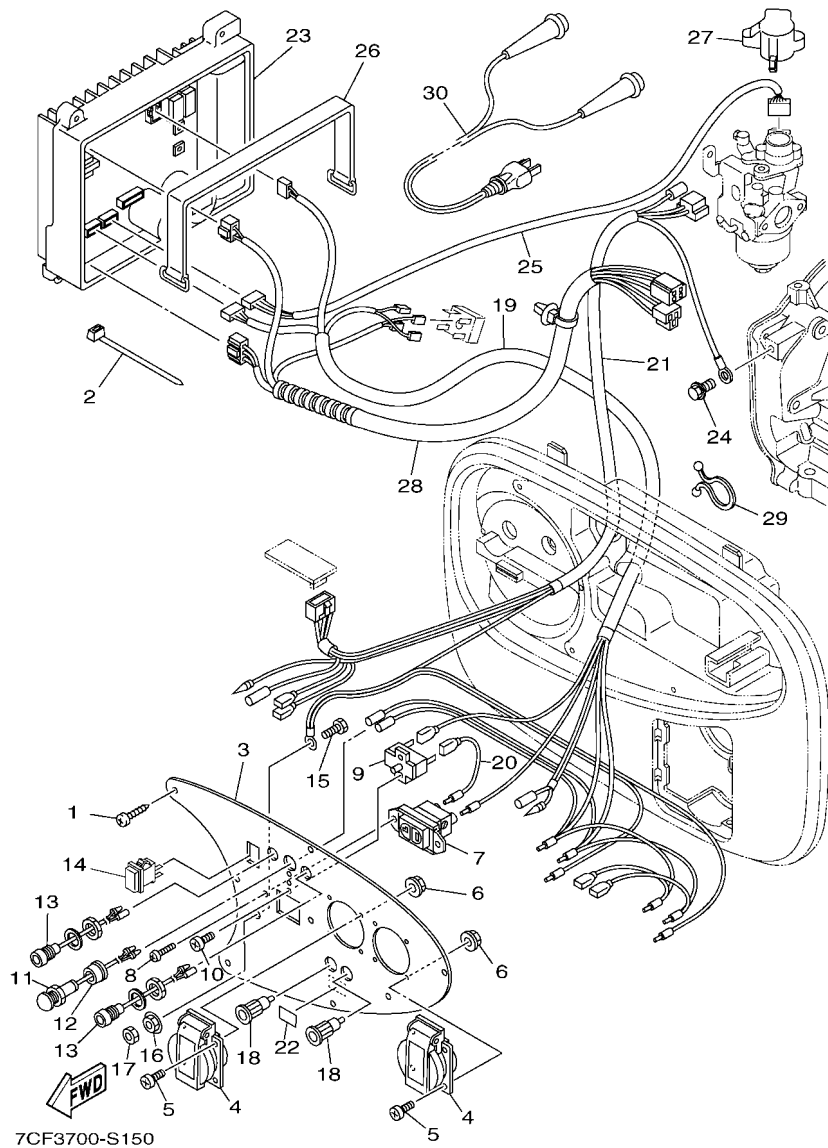


FIG. 15 CONTROL BOX

REF. NO.	PART NO.	DESCRIPTION	7CF3			REMARKS
1	97702-40516	SCREW, TAPPING	6			
2	90465-12356	CLAMP	1			
3	7CF-87249-R0	PLATE	1			
4	7CK-87221-90	RECEPTACLE 1 (S230E-7-4)	2			KEDU
5	90151-03032	SCREW, COUNTERSUNK	8			
6	90179-03478	NUT	8			
7	7H8-87214-11	RECEPTACLE COMP. (WCZ 1220-125)	1			PANASONIC
8	98502-04008	SCREW, PAN HEAD	2			
9	7VV-82181-00	CIRCUIT BREAKER COMP. (8A)	1			HOSIDEN
10	98502-03008	SCREW, PAN HEAD	2			
11	7CH-83530-G0	PILOT LIGHT ASSY	1			
12	90480-13012	GROMMET	1			
13	7CH-83582-C1	PILOT LIGHT ASSY	2			
14	7CG-82550-C1	ENGINE STOP SWITCH ASSY	1			
15	97080-05016	BOLT	1			
16	95702-05500	NUT, FLANGE	1			
17	95380-05700	NUT	1			
18	7CF-87231-00	TERMINAL 1	2			
19	7CF-87226-R1	WIRE HARNESS ASSY	1			
20	7CF-8722Y-R1	WIRE, LEAD 4	1			
21	7CF-8722X-M1	WIRE, LEAD 5	1			
22	7CF-84306-30	LABEL, CAUTION	1			
23	7CF-8A210-23	CONTROL UNIT	1			
24	95802-06012	BOLT, FLANGE	1			
25	7CF-82509-00	WIRE, SUB LEAD	1			
26	7CF-82131-00	BAND, BATTERY	1			
27	7VU-14293-00	COVER 1	1			

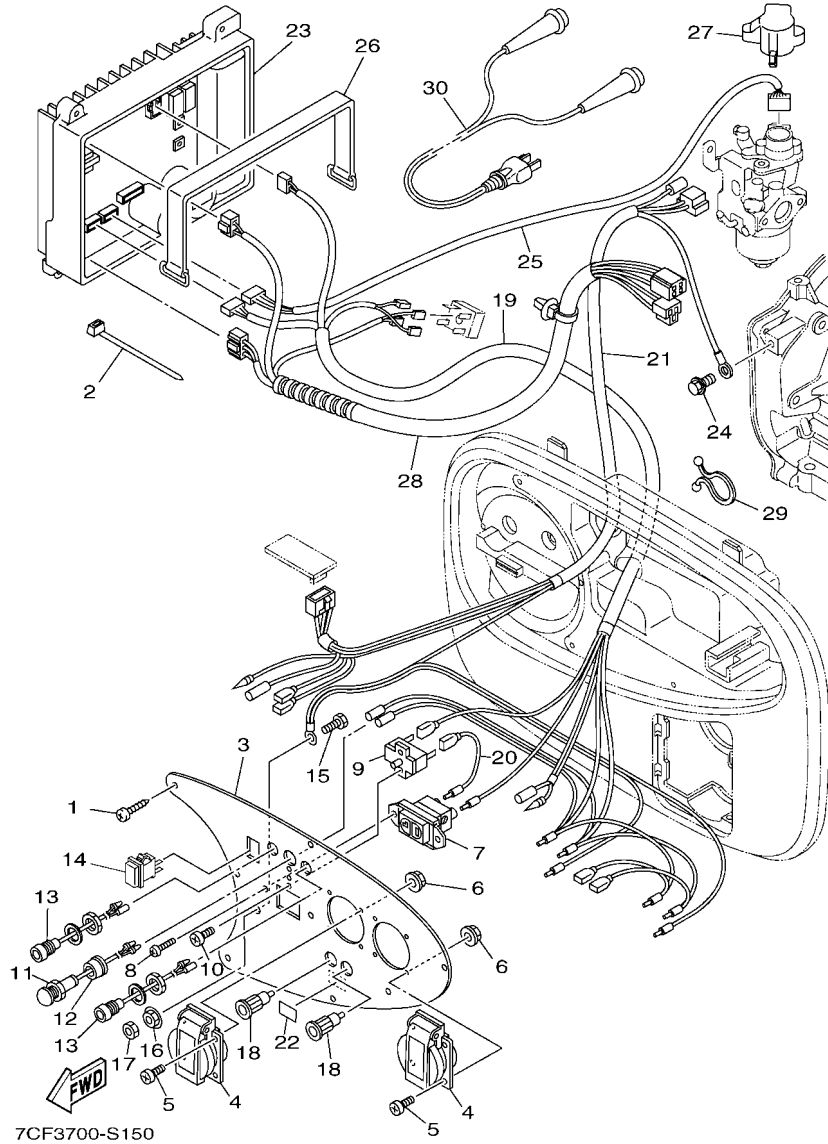
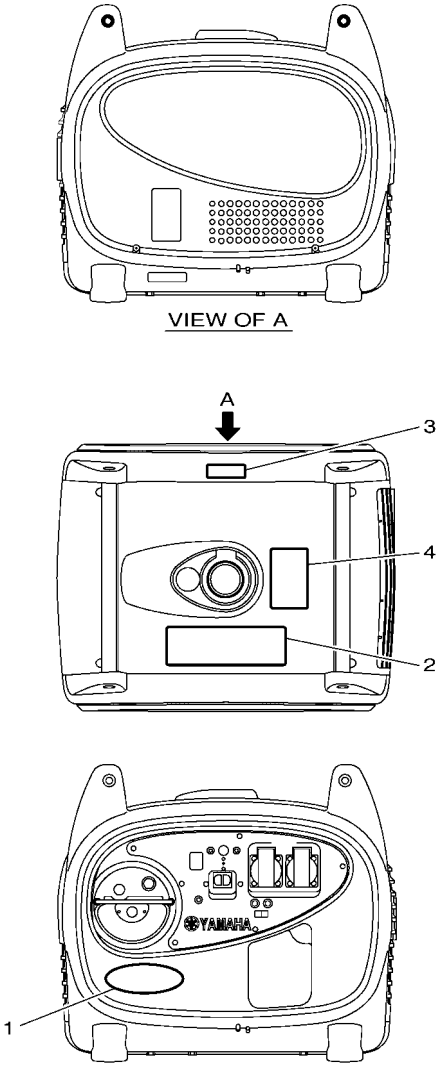


FIG. 15 CONTROL BOX

REF. NO.	PART NO.	DESCRIPTION	7CF3			REMARKS
28	7CF-8722J-00	WIRE, LEAD	1			
29	90464-23041	CLAMP	1			
30	7CG-87209-N0	CHARGE CORD ASSY	1			

FIG. 16 LABELS



7CF3700-S160

REF. NO.	PART NO.	DESCRIPTION	7CF3				REMARKS
1	7CF-24161-10	EMBLEM 1 (EF2400IS)	1				
2	7CF-24162-40	EMBLEM 2 (WARNING)	1				
3	7CH-21696-20	LABEL, CAUTION (SPECIFIED PLUG)	1				
4	7DK-24877-00	LABEL, CAUTION	1				

NUMERICAL INDEX

PART NO.	REF. NO.	PART NO.	REF. NO.	PART NO.	REF. NO.	PART NO.	REF. NO.	PART NO.	REF. NO.	PART NO.	REF. NO.
7CF-11011-02	9 - 13	7CF-22837-00	9 - 26	7CF-24500-01	12 - 10	7CN-E1633-00	2 - 6	7CN-F627E-00	4 - 16	93306-205XE	8 - 4
7CF-11012-02	9 - 14	7CF-2283L-00	9 - 8	7CF-24512-01	12 - 11	7CN-E1635-00	2 - 4	7CN-H2370-00	13 - 3	93306-255Y3	8 - 10
7LV-14118-00	6 - 26	7WL-22857-00	9 - 10	3AC-24523-00	12 - 14	7CN-E1636-00	2 - 4	7CP-H2372-00	13 - 8	93450-17828	2 - 7
22F-14139-00	6 - 27	7CF-22869-00	9 - 9	7CF-24524-10	12 - 22	7CN-E1650-11	2 - 2	7CP-H2373-00	13 - 9	94702-00331	1 - 8
620-14142-35-A0	6 - 6	7CF-2286A-00	11 - 19	3AJ-24534-01	12 - 13	7CN-E1654-00	2 - 3	7CF-H5640-01	13 - 2	95022-08016	9 - 27
7LG-14150-11	6 - 19	7CF-22873-00	10 - 2	7CF-24610-10	12 - 5	7CN-E2111-00	3 - 2	7CF-H5650-00	13 - 1	95022-10016	8 - 8
7EG-14159-00	6 - 20	7CF-22874-00	10 - 19	7DK-24877-00	16 - 4	7CN-E2117-00	3 - 6	7CN-H5720-00	13 - 10	95380-05700	15 - 17
7TD-14162-00	6 - 17	7CF-22875-10	11 - 2	7CF-26331-00	10 - 14	7CN-E2118-00	3 - 7	7CN-H5724-00	13 - 12	95602-06615	1 - 2
7TD-14181-00	6 - 13	7CF-22876-00	11 - 3	7TA-28100-00	9 - 6	7DH-E2119-01	3 - 14	90116-06807	1 - 3	95702-04500	10 - 10
7LG-14185-00	6 - 7	7CF-22877-00	11 - 9	7CF-81802-09	6 - 22	7CN-E2121-00	3 - 3	90149-06011	12 - 16	95702-05500	15 - 16
22F-14186-00	6 - 10	7CF-22878-00	11 - 17	7CF-82131-00	15 - 26	7CN-E2151-00	3 - 8	90151-03032	15 - 5	95702-06500	5 - 10
7E1-14191-00	6 - 15	7CF-22879-00	11 - 18	7VV-82181-00	15 - 9	7CN-E2153-00	3 - 4	90153-05024	7 - 6		12 - 29
7CF-14197-00	6 - 28	7CF-22881-01	9 - 7	7CF-82509-00	15 - 25	7CN-E2154-00	3 - 13	90154-06823	5 - 8		14 - 10
7NJ-14211-00	6 - 18	7VU-22894-00	9 - 11	7CG-82550-C1	15 - 14	7CN-E2155-01	3 - 12	90170-06424	7 - 7	95702-08500	9 - 4
73A-14212-00	6 - 4	7CF-22895-10	9 - 17	7CH-83530-G0	15 - 11	7CN-E2157-01	3 - 10	90170-14403	14 - 16		9 - 12
	6 - 14	7CF-22897-00	10 - 16	7CH-83582-C1	15 - 13	7CN-E2158-01	3 - 11	90170-14800	13 - 5	95802-06010	14 - 9
7RH-14216-00	6 - 2	7CF-22899-00	10 - 3	7CF-84306-30	15 - 22	7CN-E2165-00	3 - 9	90179-03478	15 - 6	95802-06012	4 - 2
7G0-14227-00	6 - 16	7CF-228A0-01	10 - 1	7CF-85680-C0	10 - 11	7CN-E2170-00	3 - 1	90183-05004	11 - 20		9 - 24
7X9-14239-00	6 - 11	7CF-228B0-00	10 - 18	7CF-85710-C1	12 - 7	7CN-E2610-21	4 - 1	90183-05076	9 - 25		15 - 24
1HX-1423E-34-A0	6 - 9	7CF-228C0-10	11 - 1	7VU-87105-00	9 - 18	7CN-E2651-01	4 - 3	90183-060A3	9 - 16	95802-06016	4 - 15
J45-14243-00	6 - 23	7CF-228D0-01	11 - 8	7CF-8711E-01	9 - 20	7CP-E2658-00	4 - 4	90201-03013	10 - 13		5 - 11
7VU-14293-00	15 - 27	7CF-228E0-01	11 - 16	7VU-87139-00	14 - 8	7CP-E2659-00	4 - 5	90202-05193	12 - 15		14 - 4
7RH-14486-00	6 - 3	7CF-228F0-00	10 - 15	7CF-87150-21	14 - 1	7CN-E3557-01	5 - 2	90280-04801	13 - 7	95802-06030	9 - 15
JAG-14613-00	7 - 8	7CF-23119-00	10 - 23	7CF-87160-00	14 - 2	7CN-E3567-01	5 - 3	90387-066J1	12 - 20		12 - 21
7CF-14627-01	14 - 12	7CF-2312G-00	12 - 17	7WL-87172-00	14 - 3	7CN-E3596-00	5 - 1	90387-075H4	12 - 19		12 - 28
7CF-14637-00	14 - 13	7CF-23384-00	11 - 4	7CF-87174-00	14 - 11	7CF-E4101-03	6 - 1	90430-10801	8 - 9	95802-08035	9 - 3
7CF-14711-00	7 - 1	7CF-2338G-00	11 - 11	7VU-8719F-01	14 - 7	7CP-E4196-00	6 - 29	90445-13800	1 - 11	95812-06020	14 - 14
7LL-14786-00	7 - 2		11 - 22	7CG-87209-N0	15 - 30	7CN-E4411-00	5 - 4	90464-23041	15 - 29	95822-06012	1 - 14
7NJ-14788-00	7 - 4	7CF-2338H-00	11 - 12	7H8-87214-11	15 - 7	7CN-E4412-00	5 - 5	90465-12356	15 - 2		4 - 6
7NJ-14799-01	7 - 3		11 - 23	7CK-87221-90	15 - 4	7CN-E4451-00	5 - 7	90467-09006	12 - 25		7 - 9
7NJ-1479E-00	7 - 5	7CF-24110-11	12 - 1	7CF-87226-R1	15 - 19	7CN-E4468-01	5 - 6	90468-04001	10 - 6		13 - 11
1WG-14922-00	6 - 5	7CF-24129-00	12 - 3	7CF-8722J-00	15 - 28	7CN-E4477-00	5 - 9		10 - 20	95822-06020	13 - 4
7NN-1495F-1B	6 - 8	7CF-24135-00	12 - 33	7CF-8722X-M1	15 - 21	7CN-E4997-00	6 - 12		11 - 5	95822-06045	14 - 5
7TD-15755-01	4 - 17	7CF-24139-00	12 - 4	7CF-8722Y-R1	15 - 20	7CN-E5111-60	8 - 1		11 - 13	95822-08035	8 - 14
7CF-21411-01	9 - 1	7CF-24141-00	12 - 2	7CF-87231-00	15 - 18	7CP-E5315-00	8 - 2		11 - 24	95822-08045	1 - 6
7CF-21419-00	9 - 2	7CF-2414G-10	11 - 6	7CF-87249-R0	15 - 3	7CN-E5362-20	8 - 15	90480-01400	12 - 8	95822-08065	1 - 5
7CH-21696-20	16 - 3	7CF-24151-00	10 - 4	7CF-8A210-23	15 - 23	7CN-E5421-80	8 - 7	90480-13012	15 - 12	97080-05016	15 - 15
6H1-21757-00	12 - 18	7CF-24161-10	16 - 1	7CN-E1111-01	1 - 1	7CN-E5451-01	8 - 13	90480-18290	12 - 9	97702-30512	10 - 12
7WL-21764-00	11 - 7	7CF-24162-40	16 - 2	7CN-E1160-00	1 - 10	7CN-E5472-00	8 - 3	90501-20800	3 - 5	97702-40516	15 - 1
7CF-22811-00	9 - 22	7VV-24167-00	12 - 6	7CN-E1169-02	1 - 12	7CP-E5494-00	8 - 12	92902-04200	10 - 9	97702-50014	9 - 21
7CF-2281A-00	10 - 17	7CF-24170-00	12 - 26	7CN-E1181-01	1 - 4	7CP-E5710-02	4 - 7	92902-05100	6 - 25	97702-50516	14 - 15
7CF-2281E-00	10 - 21	7CF-24190-01	12 - 27	7CN-E1191-00	1 - 9	7CN-E5713-00	4 - 10	92902-05600	11 - 15	98502-03008	12 - 12
7CF-2281F-00	10 - 22	7CF-24191-01	9 - 23	7CN-E1193-00	1 - 13	7CN-E5714-03	4 - 8		11 - 26		15 - 10
7CF-2281G-00	11 - 10	7CF-24311-20	12 - 24	7CN-E1400-A0	2 - 1	7CN-E5715-00	4 - 11	92902-14200	13 - 6	98502-04008	15 - 8
	11 - 21	7CF-24312-01	12 - 31	7CN-E1610-00	2 - 5	7CN-E5716-01	4 - 12		14 - 17	98502-05008	6 - 24
7CF-2281H-00	10 - 5	7CF-24313-01	12 - 32	7CN-E1610-10	2 - 5	7CN-E5741-01	4 - 9	93102-25806	8 - 5	98502-05014	9 - 19
7CF-2281J-00	10 - 7	7CF-24398-00	12 - 30	7CN-E1610-20	2 - 5	7CP-E5751-00	4 - 14		8 - 11	98502-05016	11 - 14
7CF-22825-00	10 - 8	4SV-24453-00	6 - 21	7CN-E1631-10-A0	2 - 4	7CN-E5793-00	4 - 13	93210-22805	8 - 16		11 - 25

NUMERICAL INDEX

PART NO.	REF. NO.	PART NO.	REF. NO.	PART NO.	REF. NO.	PART NO.	REF. NO.	PART NO.	REF. NO.	PART NO.	REF. NO.
98502-08012	9 - 5										
98702-04020	12 - 23										
99530-08012	14 - 6										
99530-08016	8 - 6										
99530-10114	1 - 7										